

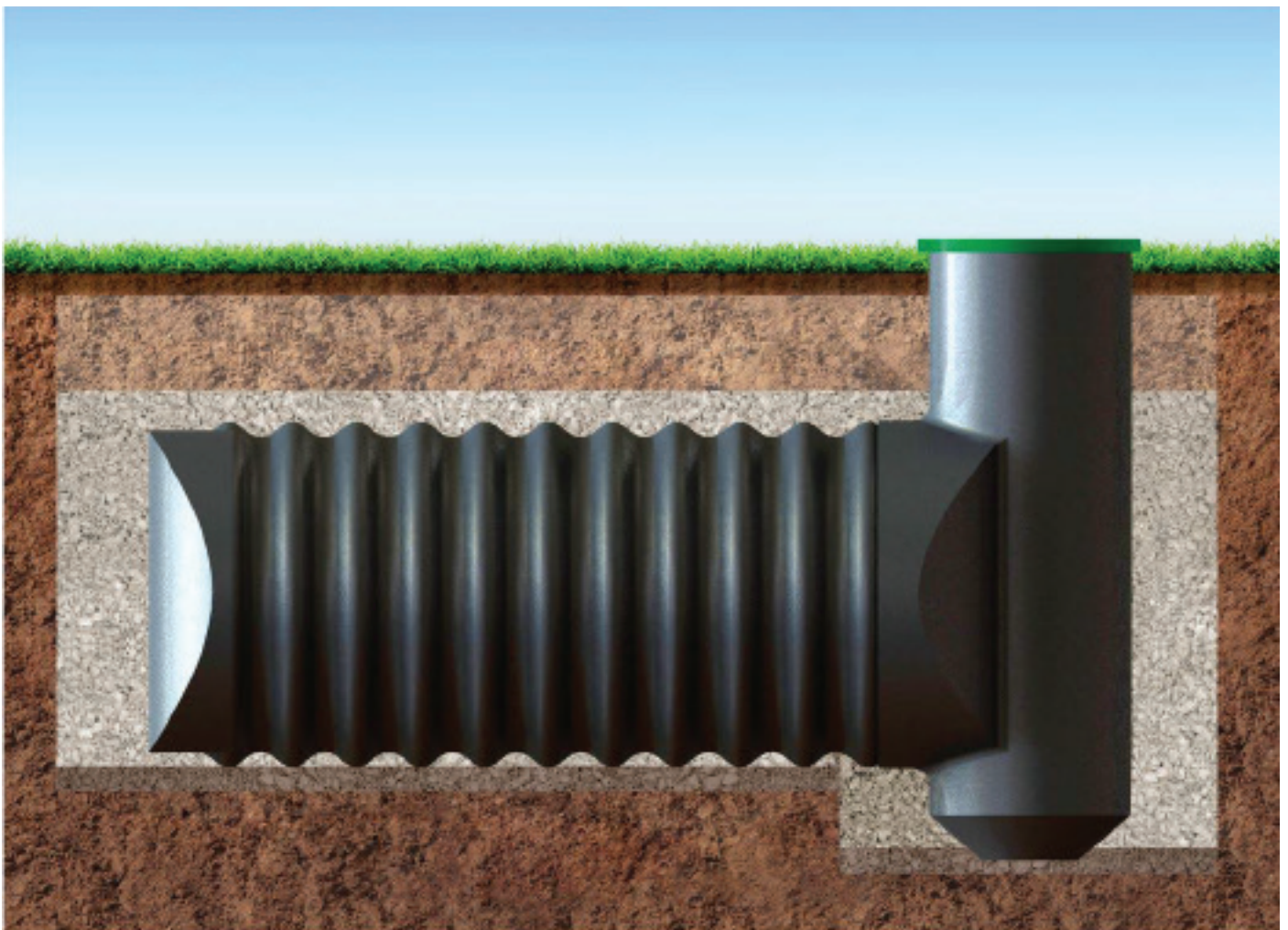


IDEAL TANK & SYSTEM SOLUTIONS



Made to Order Economy.

# STORMLITE OWNER'S INSTALLATION GUIDELINES & MAINTENANCE INSTRUCTIONS





IDEAL TANK & SYSTEM SOLUTIONS

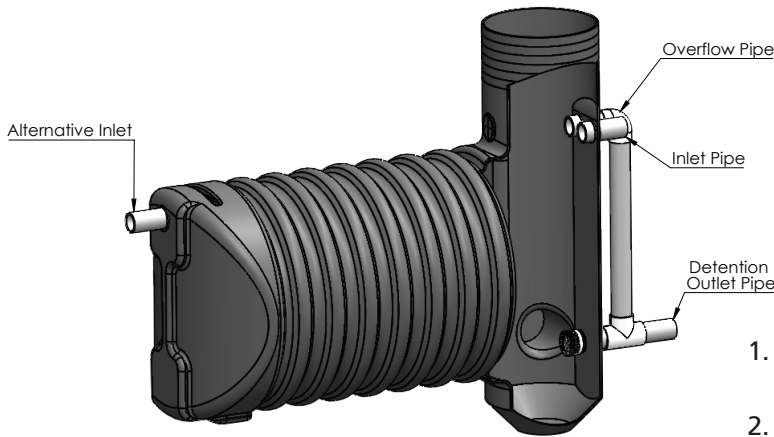
Congratulations on the purchase of a StormLite detention/retention tank. All of our StormLite tanks are designed and manufactured to your individual site requirements, to give you easy installation and provide a long trouble-free life.

Comprehensive installation details available ex APD.

- StormLite tanks are supplied complete in one piece ready to install.
- Made from tough recyclable polyethylene that will not rot, rust or corrode.
- Lift tanks with slings not chains - be careful not to damage tank.
- Lengthy 645mm diameter tanks may snake because of their corrugated construction. This does not affect their structural integrity.
- Silt trap included - a separate silt trap is not required with StormLite tanks.
- Inlet/s can be in either or both ends.
- Outlets should be drilled in line with the bottom of the tank chamber (330mm from base of silt trap).
- Ensure any swarf or filings are removed from tank prior to filling, these could potentially cause an orifice blockage if left in the tank.
- Plastic lids available are suitable for lawn or garden locations. Ensure the plastic lids are screwed down securely to stop access by children.
- For Driveway installations tanks are supplied with a red support ring and temporary red lid.
- Class D cast iron man lid/s and frames are available for trafficable applications.
- Riser extensions available upon request.
- **\*Caution** - because of their light weight, newly installed tanks can float out of the trench even after backfilling, if the trench is flooded by rain or a high-water table. Please follow anchoring installation guidelines (available ex APD) if required.

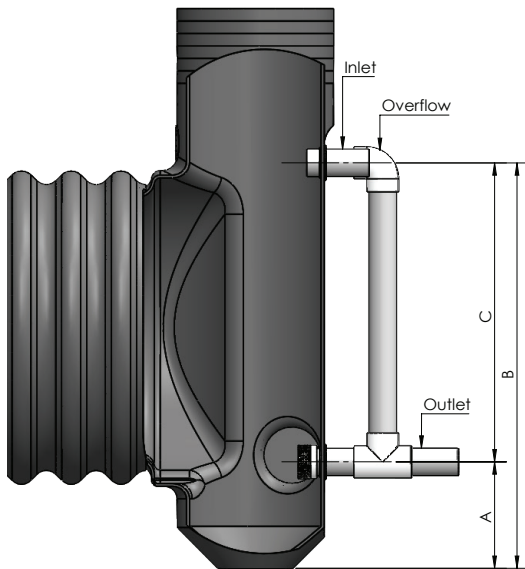


IDEAL TANK & SYSTEM SOLUTIONS

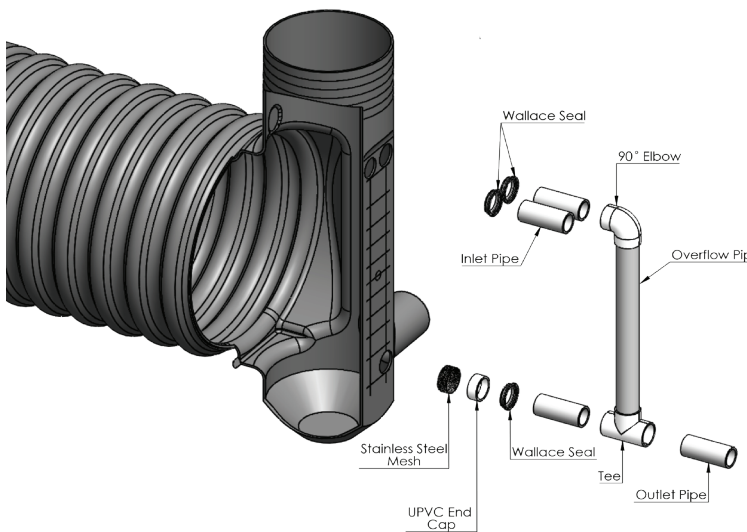


NB: You need to use the following hole saws for the different pipe sizes:

Pipe	Hole Saw Size
100NB	121mm
150NB	168mm



1. Use 121mm hole saw to drill holes for 100NB inlet, outlet and overflow (168mm for 150NB).
2. Insert supplied Wallace Seals.
3. Insert your PVC pipes.
4. Drill orifice hole close to edge of supplied push on cap to required size.
5. Glue orifice cap onto outlet pipe inside sump. Orifice hole at bottom.
6. Place supplied wire mesh screen over orifice cap. Secure with screws and washers supplied. Leave at least 15mm between the face of the mesh and the end cap.
7. For lawn areas cut riser back so top of lid sits 100mm above finished surface level.
8. Place plastic lid on and screw down to secure.
9. For trafficable or concrete areas place the red support ring around the top of the manway and concrete around it. Secure the temporary lid on.
10. For trafficable areas a class D cast iron lid and frame is required.







IDEAL TANK & SYSTEM SOLUTIONS

# StormLite Detention/Retention Tank Inspection and Maintenance Instructions

**\*\*APD recommend using a suitably qualified plumber/drain layer for servicing of tanks.**

Thank you for choosing an APD StormLite detention/retention tank. Please read these instructions carefully before attempting to maintain the tank.

These tanks are designed to meet council requirements to limit the flow of water to the stormwater system during heavy rainfall events. APD tanks feature a silt trap designed to minimise silt flowing into the stormwater system. All of our detention tanks are supplied with a mesh screen that is fitted over the outlet orifice and is designed to prevent large debris from blocking it. APD recommends an annual visual inspection of the silt trap, mesh and orifice(s) to determine if the silt trap requires removal of silt build up and to ensure the mesh screen and fixed orifice are free of debris. For ease of inspection these items are located directly below the manway access.

## INSPECTION AND MAINTENANCE PROCEDURE

- Remove the screws holding the green lid on the tank in place. If the manway access riser is located in a driveway, lift the cast iron lid. Be careful as cast iron lids are heavy and may require assistance and the correct tool to lift.
- Using a torch if necessary, inspect the mesh covering the outlet orifice(s), the orifice outlet and the level of silt build up in the silt trap.

## OUTLET MESH SCREEN AND ORIFICE

- Ensure the mesh is not blocked with debris as this may affect the rate at which water can exit the tank. If the mesh and orifice are clear, no further action is required.
- If the mesh has debris covering it and depending upon the nature of the debris, it may be possible to remove by hosing off, or with a suction device or a long stick and clamp. If this is not practical then it will be necessary to enter the tank to manually clear the debris.
- **Caution:** Entering the tank should be treated as a confined space. See confined space warning below.
- Clear debris from the mesh and inspect the orifice(s) for any obstructions. If the orifice is obstructed, it may be necessary to remove the mesh.
- To remove the mesh, remove the screws and pull the mesh from the orifice endcap. Clean and remove all debris and other obstructions from the orifice.
- Dispose of all debris and obstructive materials outside of the tank as leaving them in the tank may lead to a fresh blockage. Refit the mesh and secure with screws.

## SILT TRAP

- Check the level of silt build up in the sump. If the silt level is more than 50mm from the bottom of the silt trap, it is recommended that it be removed. APD recommends that professionals with a vacuum suction truck or similar be used to perform this task as the silt can be removed without the need to enter the tank.

**Please ensure the tank lid is correctly fastened down upon completion of inspection.**



IDEAL TANK & SYSTEM SOLUTIONS



**DO NOT** inspect the tank if it is raining or has recently rained. Allow time for the water level to reduce to the minimum level.

**CAUTION – CONFINED SPACE**

If it is necessary to enter the detention tank to undertake inspection or maintenance, you must follow the 'Safe Working in a Confined Space' guidelines provided by WorkSafe NZ or use professionals who are trained in these requirements. It is the responsibility of the person or persons entering the tank to formulate an appropriate entry plan and rescue plan. APD recommends a minimum of two (2) competent persons using suitable harness and winch equipment for tank access, with one (1) person to remain outside the tank at all times.

**Tank Inspection Record**

DATE OF INSPECTION	NOTES