

StormPit[®]

SURFACE WATER SUMPS

Built for Compliance.

StormPit Type Two



**THE APD StormPit RANGE HAS BEEN
DESIGNED TO MAKE YOUR JOB
EASIER!**

Why use heavy, difficult concrete sumps when you can use a New Zealand building code compliant APD Type Two sump and make your job easier?

BENEFITS

- Lightweight, sump and riser are only 45kg - an easy two person lift.
- Will fit a range of Class D 600mm opening round grates.
- Rectangular grates are also available in both flat and concave Class D.
- Anti-flotation ring, no additional concrete required.
- Made in NZ of durable recyclable polyethylene.
- Manufactured from water tank grade PE material suitable for below ground installations.

**LIGHTER!
EASIER!
FASTER!**

For more information contact
your APD account manager
or call (09) 263 7741

www.apd.co.nz

January 2022

APD

IDEAL TANK & SYSTEM SOLUTIONS



Built for Compliance.

StormPit Type Two



Lightweight, and made in New Zealand from durable recyclable polyethylene, APD's StormPit Type Two sumps are available with circular and rectangular (flat or concave) grates to best suit your site.

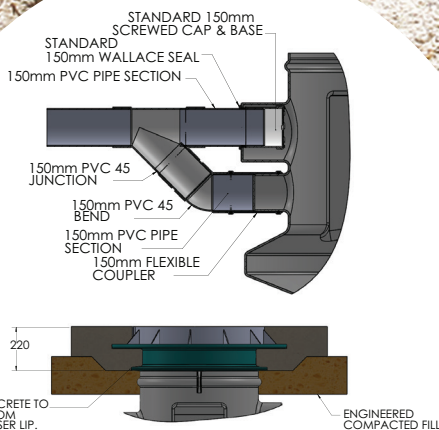
RECTANGULAR GRATE OPTIONS



CONCAVE GRATE

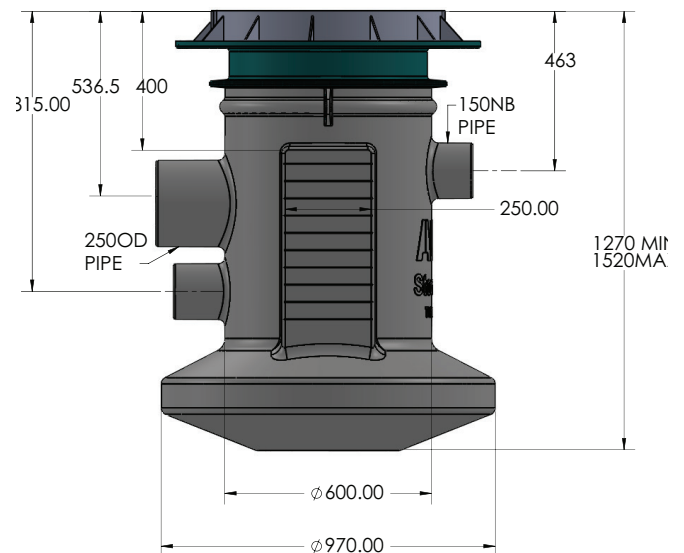


FLAT GRATE



FEATURES

- Moulded in lifting eyes if required.
- Adjustable in height from 1270mm – 1520mm from the base of the unit to FGL.
- Ability to easily install 150mm UPVC syphon with access cap.
- 1 x 250mm OD spigot, 2 x 160mm OD (150mm UPVC) spigots and 2 x flat panels for multiple inlet or outlet locations.
- Easy cutting with hole saw and use of 150mm rubber seals.
- 250mm of height adjustment.
- Easy height identification marks for cutting and drilling.



For more information contact your APD account manager or call (09) 263 7741

www.apd.co.nz

January 2022



IDEAL TANK & SYSTEM SOLUTIONS