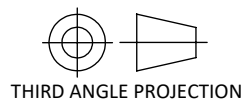


1000L TANK

CAD DRAWING NO MANUAL REVISIONS REQUIRED DO NOT SCALE

REMOVE ALL SHARP EDGES. 0.5 X 45



Job # --
Prod #

MATERIAL: LDPE / MILD STEEL

Project

APD StormSlim® TANK RANGE

Sheet 1 of 6

SCALE: VARIES - CHECK SHEET

sub ass

1000L TANK WITH FRAME

DESIGNER: DA

CHECKED: --

part name

--

DRAWN BY: DA

PRINT DATE: 17/08/2022

DWG No. ---000-001

REVISION: A

The information contained in this drawing is the sole property of APD LTD, is confidential, may only be used for the purpose issued and not be divulged to third parties, copied or reproduced in any way. All intellectual property rights pertaining to this drawing belong to APD LTD.

TOLERANCE (UNLESS OTHERWISE STATED)

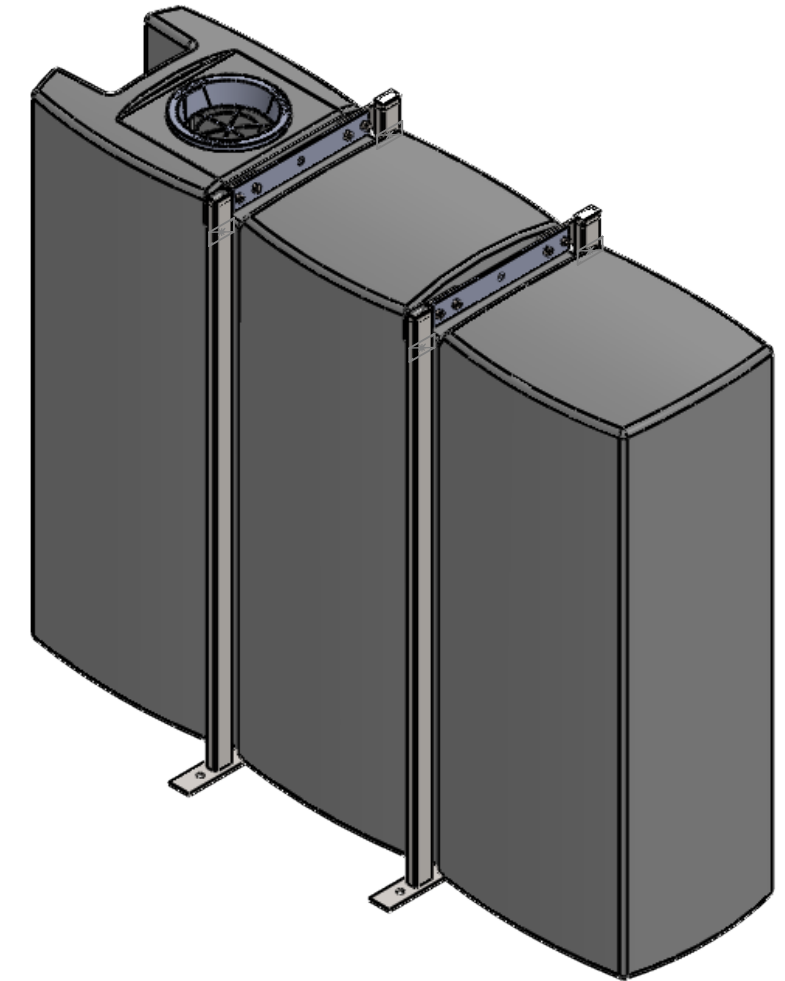
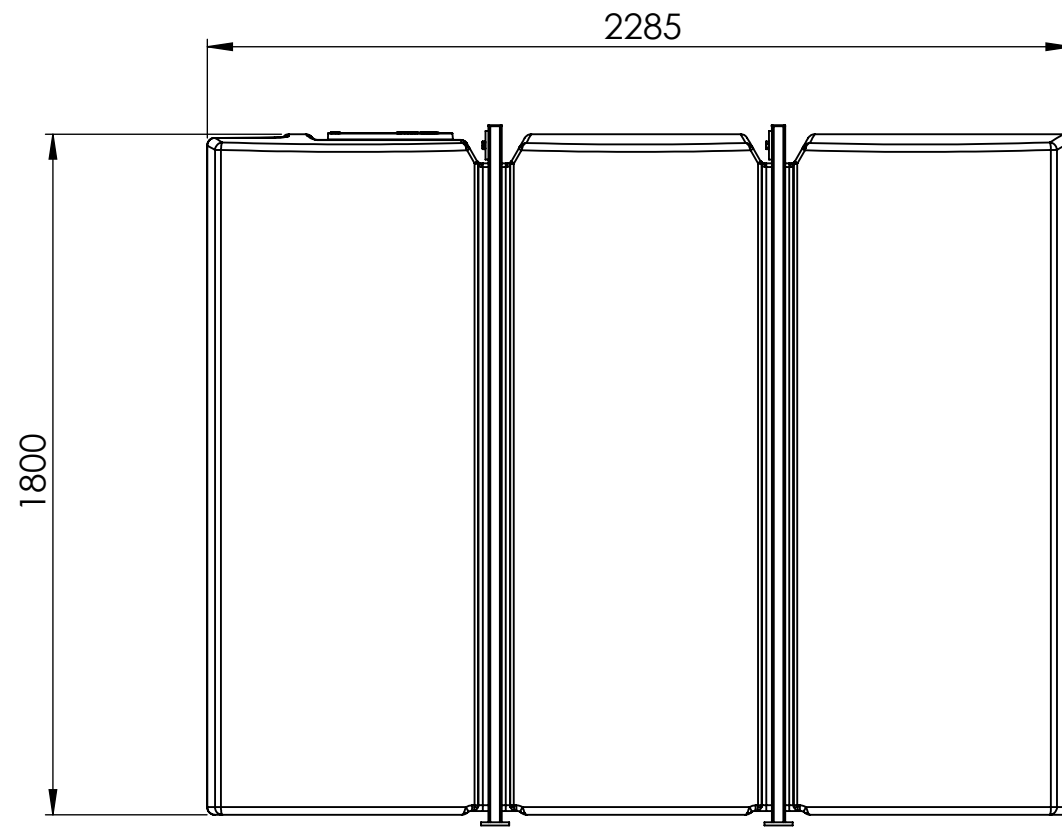
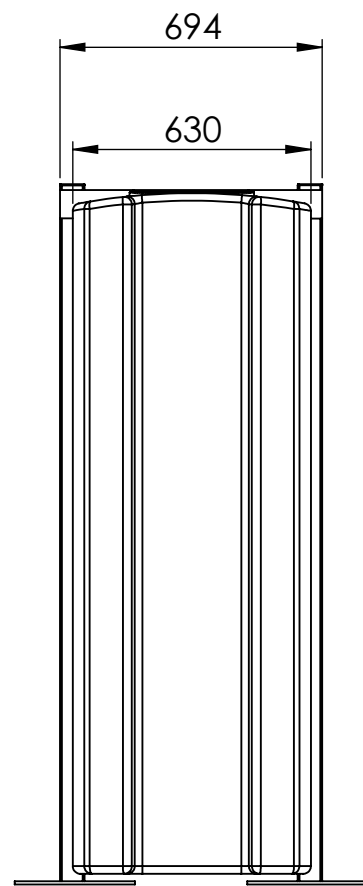
0 = +/- 1.0
0.0 = +/- 0.50
0.00 = +/- 0.10
0.000 = +/- 0.01

ALL DIMENSIONS IN MILLIMETRES (mm)



APD LTD
49 McLaughlins Road,
Wiri,
AUCKLAND
NEW ZEALAND

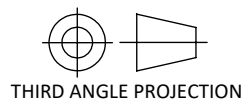
TEL: 00 64 9 263 7741 FAX: 00 64 9 263 7743
www.apd.co.nz



2000L TANK

CAD DRAWING NO MANUAL REVISIONS REQUIRED DO NOT SCALE

**REMOVE ALL SHARP EDGES.
0.5 X 45**



THIRD ANGLE PROJECTION

Job # --

Prod #

MATERIAL: LDPE / MILD STEEL

Sheet 2 of 6

SCALE: VARIES - CHECK SHEET

DESIGNER: DA

CHECKED: --

DRAWN BY: DA

PRINT DATE: 17/08/2022

Project

APD StormSlim® TANK RANGE

sub ass

2000L TANK WITH FRAME

part name

--

DWG No. ---000-002

REVISION: A

ALL DIMENSIONS IN MILLIMETRES (mm)

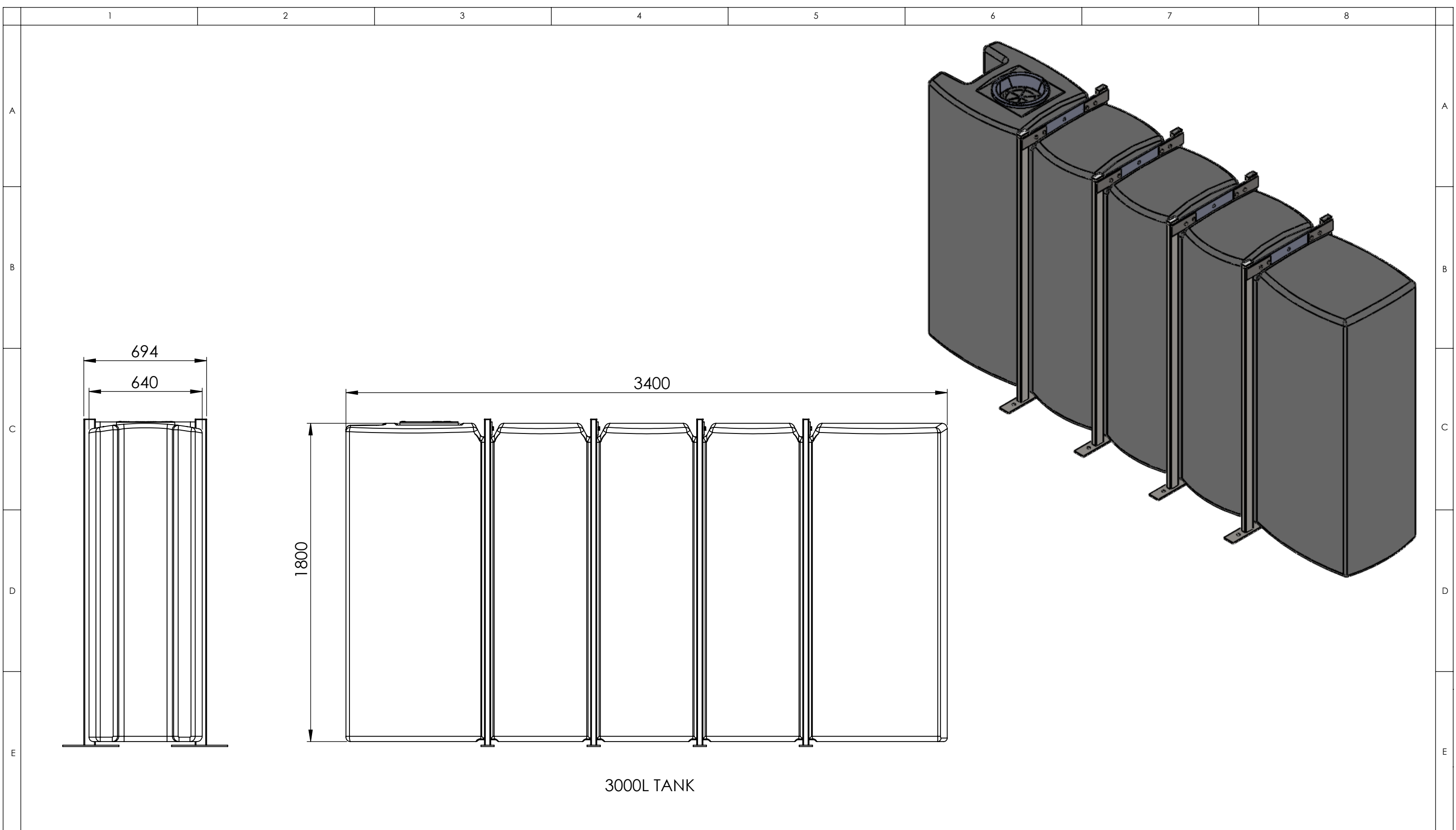
APD LTD
49 McLaughlins Road,
Wiri,
AUCKLAND
NEW ZEALAND

TEL: 00 64 9 263 7741 FAX: 00 64 9 263 7743
www.apd.co.nz

TOLERANCE (UNLESS OTHERWISE STATED)

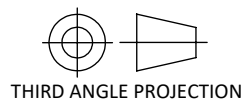
0 = +/- 1.0
0.0 = +/- 0.50
0.00 = +/- 0.10
0.000 = +/- 0.01

The information contained in this drawing is the sole property of APD LTD, is confidential, may only be used for the purpose issued and not be divulged to third parties, copied or reproduced in any way. All intellectual property rights pertaining to this drawing belong to APD LTD.



CAD DRAWING NO MANUAL REVISIONS REQUIRED DO NOT SCALE

REMOVE ALL SHARP EDGES. 0.5 X 45



Job # --
Prod #

MATERIAL: LPDE / MILD STEEL

Project
APD StormSlim® TANK RANGE

Sheet 3 of 6 SCALE: VARIES - CHECK SHEET

DESIGNER: DA CHECKED: --

sub ass
3000L TANK WITH FRAME

DRAWN BY: DA PRINT DATE: 17/08/2022

part name
--

TOLERANCE (UNLESS OTHERWISE STATED)

0 = +/- 1.0
0.0 = +/- 0.50
0.00 = +/- 0.10
0.000 = +/- 0.01

The information contained in this drawing is the sole property of APD LTD, is confidential, may only be used for the purpose issued and not be divulged to third parties, copied or reproduced in any way. All intellectual property rights pertaining to this drawing belong to APD LTD.

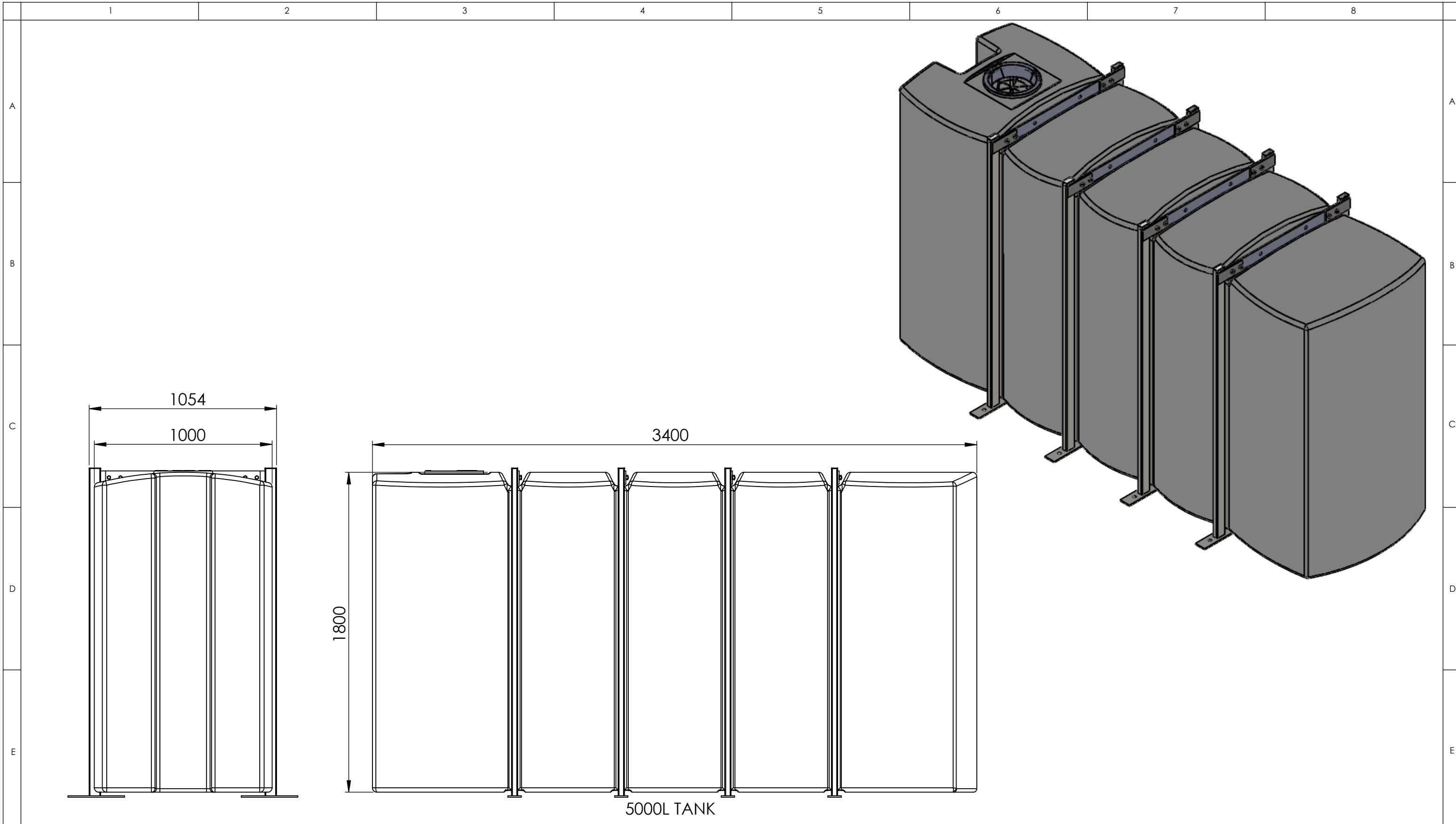
DWG No. ---000-003 REVISION: A

ALL DIMENSIONS IN MILLIMETRES (mm)



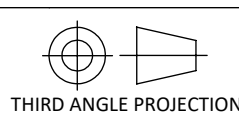
APD LTD
49 McLaughlins Road,
Wiri,
AUCKLAND
NEW ZEALAND

TEL: 00 64 9 263 7741 FAX: 00 64 9 263 7743
www.apd.co.nz



CAD DRAWING NO MANUAL REVISIONS REQUIRED DO NOT SCALE

REMOVE ALL SHARP EDGES. 0.5 X 45



Job # --
Prod #

MATERIAL: LDPE / MILD STEEL
Sheet 4 of 6
SCALE: VARIES - CHECK SHEET
DESIGNER: DA
CHECKED: --
DRAWN BY: DA
PRINT DATE: 17/08/2022

Project
APD StormSlim® TANK RANGE



APD LTD
49 McLaughlins Road,
Wiri,
AUCKLAND
NEW ZEALAND
TEL: 00 64 9 263 7741 FAX: 00 64 9 263 7743
www.apd.co.nz

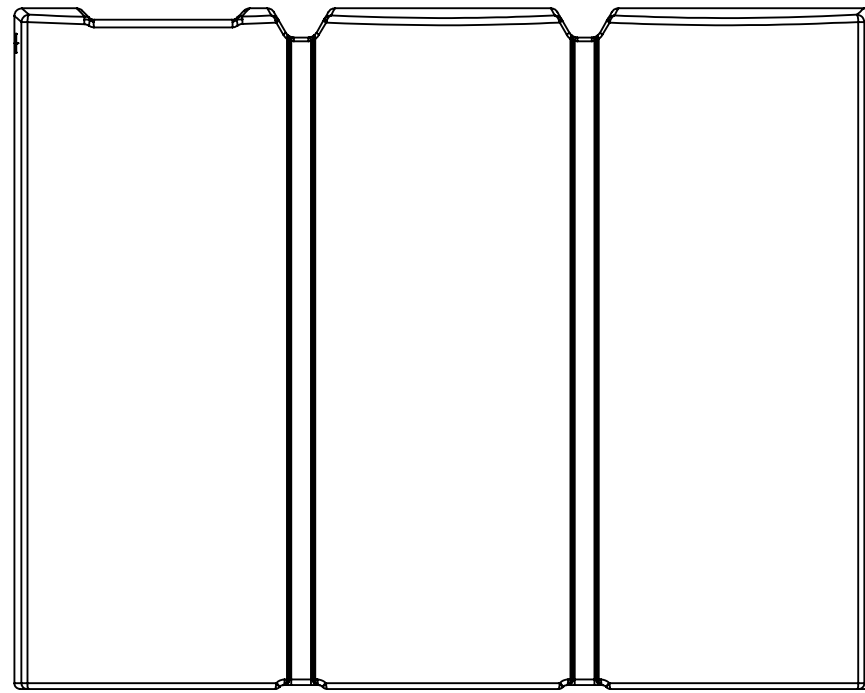
TOLERANCE (UNLESS OTHERWISE STATED)
0 = +/- 1.0
0.0 = +/- 0.50
0.00 = +/- 0.10
0.000 = +/- 0.01

The information contained in this drawing is the sole property of APD LTD, is confidential, may only be used for the purpose issued and not be divulged to third parties, copied or reproduced in any way. All intellectual property rights pertaining to this drawing belong to APD LTD.

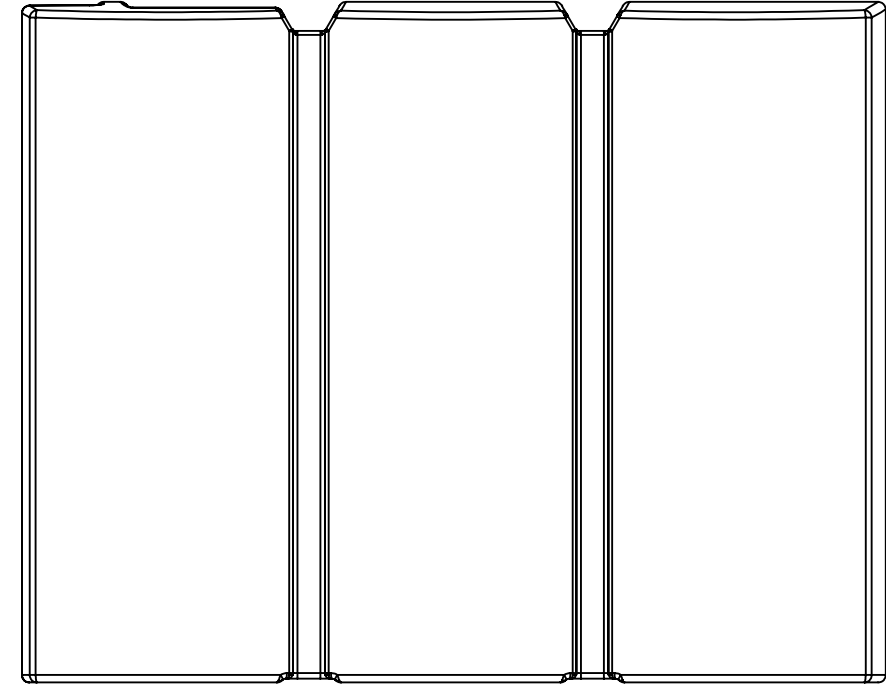
sub ass
5000L TANK WITH FRAME

part name
--

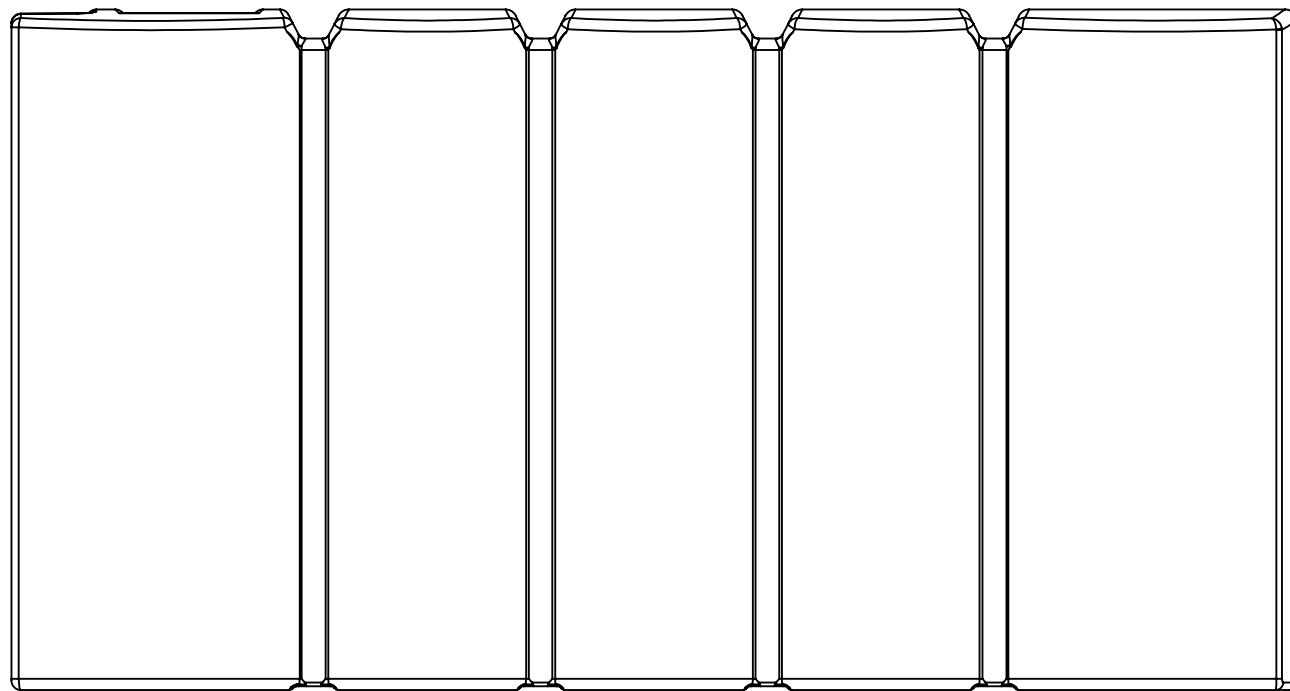
DWG No. ---000-004 REVISION: A
ALL DIMENSIONS IN MILLIMETRES (mm)



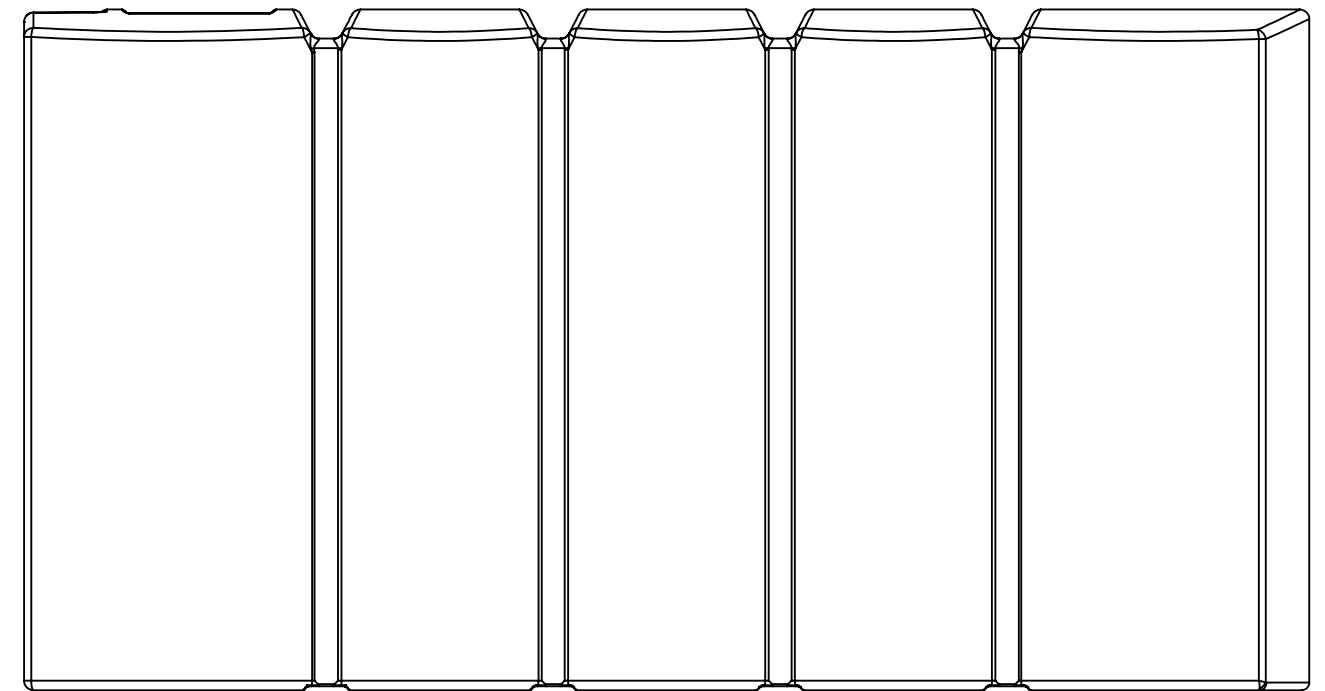
1000L TANK



2000L TANK



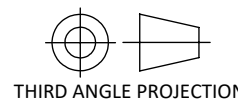
3000L TANK



5000L TANK

CAD DRAWING NO MANUAL
REVISIONS REQUIRED
DO NOT SCALE

**REMOVE ALL SHARP EDGES.
0.5 X 45**



Job # --

Prod #

MATERIAL: --

Sheet 5 of 6

SCALE: VARIES - CHECK SHEET

DESIGNER: DA

CHECKED: --

DRAWN BY: DA

PRINT DATE: 17/08/2022

Project

APD StormSlim® TANK RANGE

sub ass

FRONT VIEW

part name

--

DWG No. ---000-005

REVISION: A

ALL DIMENSIONS IN MILLIMETRES (mm)

TOLERANCE (UNLESS OTHERWISE STATED)

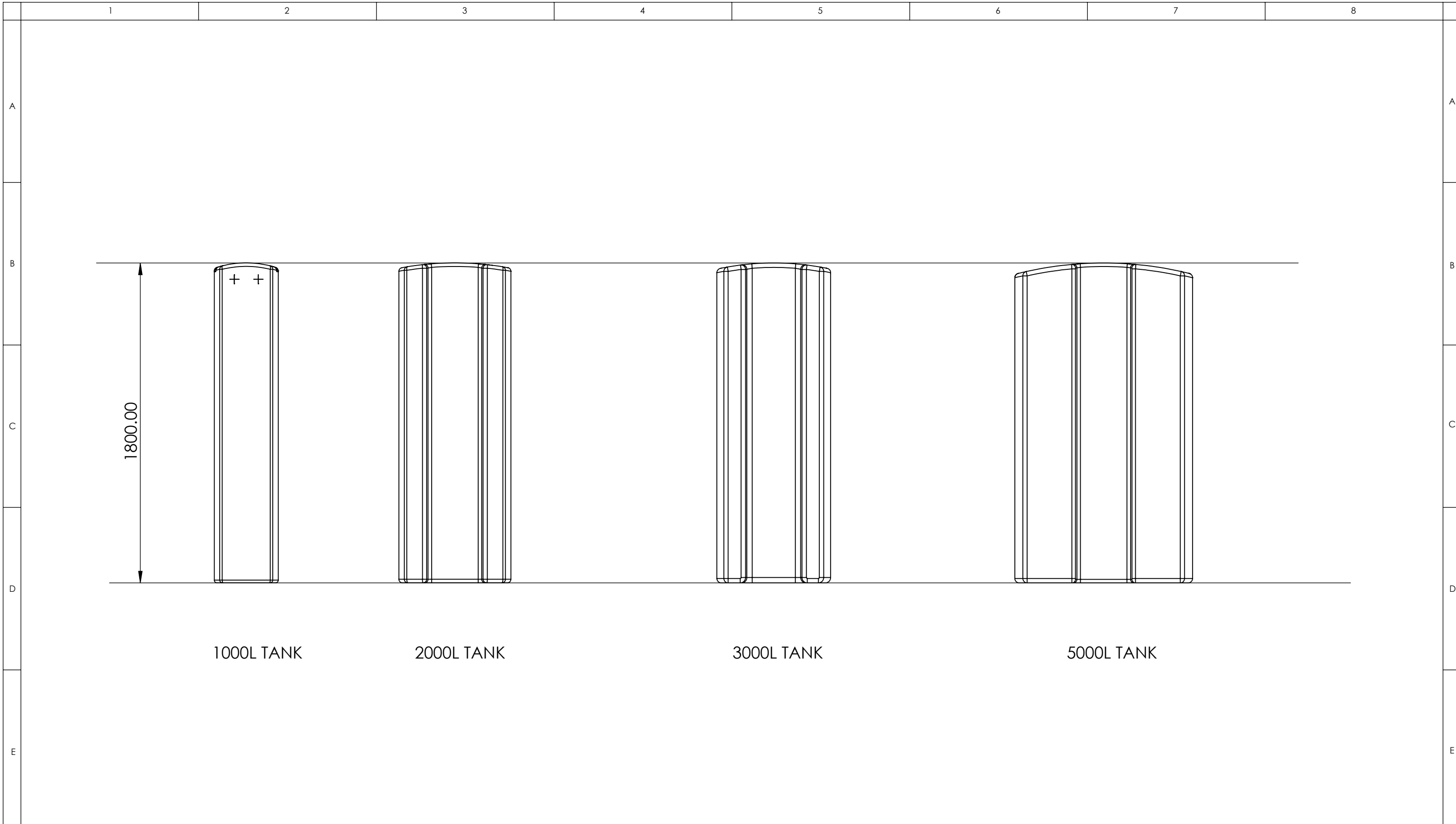
0 = +/- 1.0
0.0 = +/- 0.50
0.00 = +/- 0.10
0.000 = +/- 0.01

The information contained in this drawing is the sole property of APD LTD, is confidential, may only be used for the purpose issued and not be divulged to third parties, copied or reproduced in any way. All intellectual property rights pertaining to this drawing belong to APD LTD.



APD LTD
49 McLaughlins Road,
Wiri,
AUCKLAND
NEW ZEALAND

TEL: 00 64 9 263 7741 FAX: 00 64 9 263 7743
www.apd.co.nz



1000L TANK

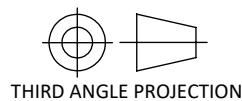
2000L TANK

3000L TANK

5000L TANK

CAD DRAWING NO MANUAL REVISIONS REQUIRED DO NOT SCALE

REMOVE ALL SHARP EDGES. 0.5 X 45



THIRD ANGLE PROJECTION

Job # --

Prod #

MATERIAL: --

Sheet 6 of 6

DESIGNER: DA

DRAWN BY: DA

SCALE: VARIES - CHECK SHEET

CHECKED: --

PRINT DATE: 17/08/2022

Project

APD StormSlim® TANK RANGE

sub ass

END VIEW

part name

--

DWG No. ---000-006

REVISION: A

ALL DIMENSIONS IN MILLIMETRES (mm)

TOLERANCE (UNLESS OTHERWISE STATED)

- 0 = +/- 1.0
- 0.0 = +/- 0.50
- 0.00 = +/- 0.10
- 0.000 = +/- 0.01

The information contained in this drawing is the sole property of APD LTD, is confidential, may only be used for the purpose issued and not be divulged to third parties, copied or reproduced in any way. All intellectual property rights pertaining to this drawing belong to APD LTD.



APD LTD
49 McLaughlins Road,
Wiri,
AUCKLAND
NEW ZEALAND

TEL: 00 64 9 263 7741 FAX: 00 64 9 263 7743
www.apd.co.nz